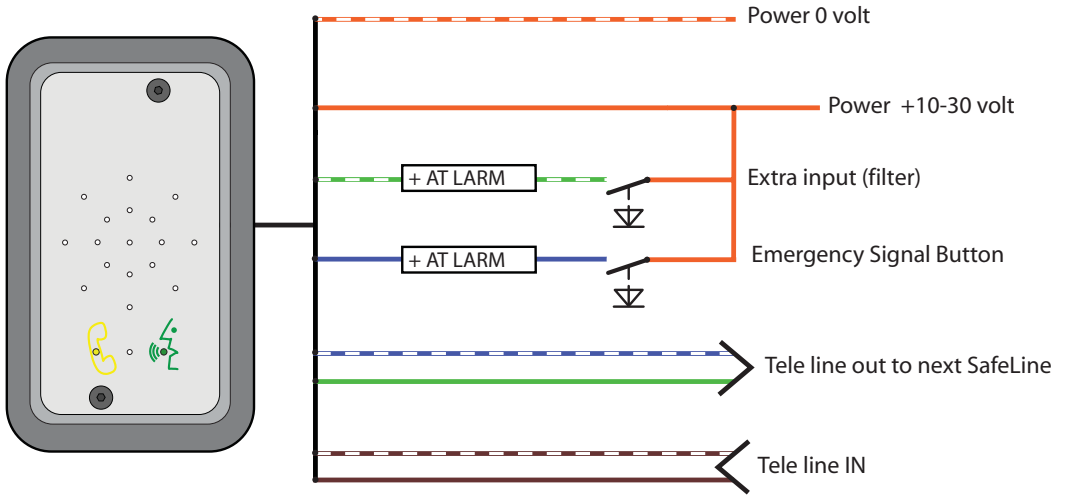
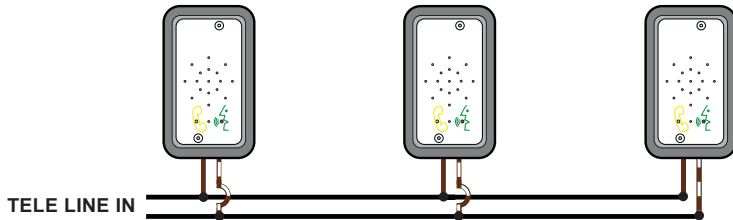




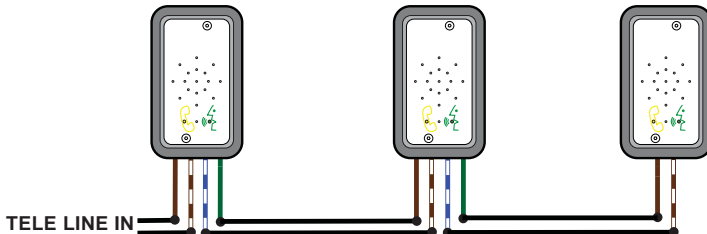
Eng Ver 2.0



Parallel connection of max 3 units.

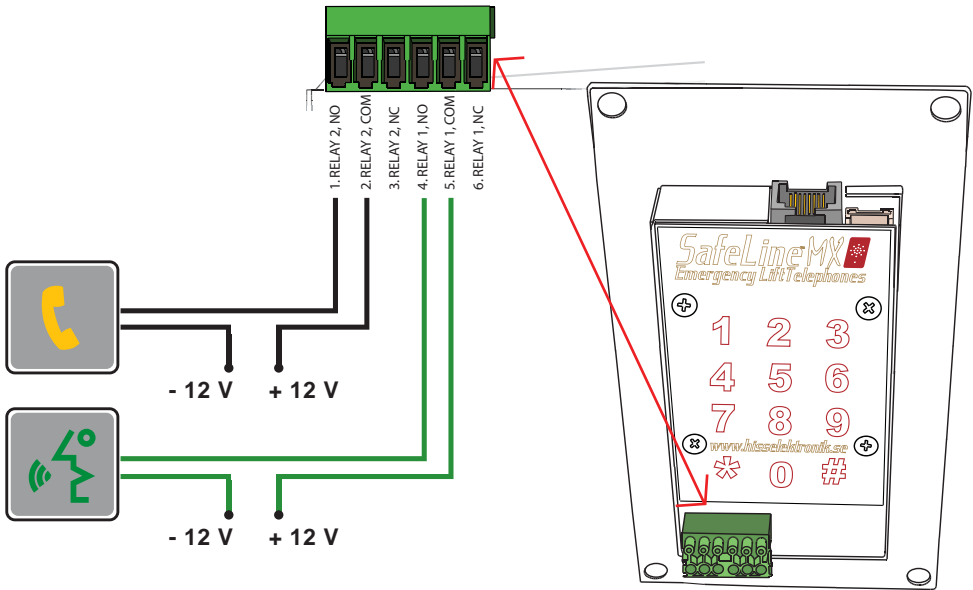


Serial connection of max 9 units.



Function	Code	Note
Setting the alarm code:		
P100 ID code	* 0 1 *	You always must enter 8 digits for the P100 ID code, end with #.
CPC ID code	* 0 2 *	You can enter 6-8 digits for the CPC ID code, end with #.
Q23 ID code	* 0 3 *	You always must enter 12 digits for the Q23 ID code, end with #.
Entering phone numbers:		
1 st phone number	* 1 1 *	You can enter 1-16 digits for the telephone number, end with #.
2 nd phone number	* 1 2 *	You can enter 1-16 digits for the telephone number, end with #.
3 rd phone number	* 1 3 *	You can enter 1-16 digits for the telephone number, end with #.
4 th phone number	* 1 4 *	You can enter 1-16 digits for the telephone number, end with #.
Call type:		
1 st phone number's call type	* 2 1 *	Press code (0-3) and end with #. 0 = P100, 1 = Voice, 2 = Q23, 3 = CPC
2 nd phone number's call type	* 2 2 *	Press code (0-3) and end with #. 0 = P100, 1 = Voice, 2 = Q23, 3 = CPC
3 rd phone number's call type	* 2 3 *	Press code (0-3) and end with #. 0 = P100, 1 = Voice, 2 = Q23, 3 = CPC
4 th phone number's call type	* 2 4 *	Press code (0-3) and end with #. 0 = P100, 1 = Voice, 2 = Q23, 3 = CPC
LMS call type	* 3 0 *	Press code (0 or 3) and end with #. 0=P100, 3=CPC
Self-test call type	* 3 1 * 0 #	P100 is used for test alarms.
Self-test alarm and battery alarm:		
LMS phone number	* 1 6 *	Enter the LMS phone number for the alarm receiver/SLCC, end with #.
Alarm Self-test	* 1 7 *	Enter the phone number of the test alarm receiver, end with #.
Test interval	* 2 7 *	Enter the number of days between test alarms (0-99), end with #.
Alarm character (only used when Call type is set to CPC):		
1 st phone number	* 4 1 *	Enter the alarm character, end with #. Default 10.
2 nd phone number	* 4 2 *	Enter the alarm character, end with #. Default 10.
3 rd phone number	* 4 3 *	Enter the alarm character, end with #. Default 10.
4 th phone number	* 4 4 *	Enter the alarm character, end with #. Default 10.
LMS number	* 4 5 *	Enter the alarm character, end with #. Default 17.
Self-test alarm number	* 4 6 *	Enter the alarm character, end with #. Default 26.
Function	Code	Note
Recording messages:		
Recording a distress message	* 5 1 * «Speak» #	This message will be played in the lift car.
Recording an alarm message from the lift car	* 5 2 * «Speak» #	This message will be played to the emergency operator.
Options for the recorded distress messages:		
Options for the distress message	* 6 1 *	Press the option number and end with #. 0 = Deactivates the recorded message. 1 = Activates the recorded message. 2 = Plays the recorded message.
Options for the lift car message	* 6 2 *	Press the option number and end with #. 0 = Deactivates the recorded message. 1 = Activates the recorded message. 2 = Plays the recorded message.

Function	Code	Note
Other codes:		
Re-dial time out ring signals	* 7 2 *	Set to 02-50, end with #. Default = 08.
Extra input function	* 7 3 *	Set to 0-2, end with #. 0 = None. 1 = Filter input. 2 = LMS input.
Extra input type	* 7 4 *	Set to 0-1, end with #. 0 = NO. 1 = NC.
Hotline	* 7 5 *	Set to 0-1, end with #. 0 = Standard telephone (default). 1 = Hotline.
Compatibility mode	* 7 7 *	Set to 0-1, end with #. 0 = No compatibility (default). 1 = "Kone"
Indicator mode	* 7 8 *	Set to 0-1, end with #. 0 = Standard 1 = Strictly EN81-28.
Reset active alarm	* 8 0 *	Set to 0-1, end with #. 0 = Off (default). 1 = On.
Auto answer	* 8 1 *	Set to 00-16, end with #. 00 = Do not answer, 02 = Default.
Unit number	* 8 2 *	Set to 0-9 (0 = Default), end with #.
Detect dial tone	* 8 3 *	Set to 0-1, end with #. 0 = Off. 1 = On.
Receipt to SLCC	* 8 4 *	Set to 0-2, end with #. 0 = Do not send receipt (default). 1 = Send receipt. 2 = Send start and end message.
Break on new alarm	* 8 6 *	Set to 0-1, end with #. 0 = Off. 1 = On (default).
Alarm button delay	* 8 7 *	Set to 01-60, end with #. Default = 05.
Relay output type	* 8 8 *	Set to 0-2, end with #. 0 = Default 1 = EN81-28 2 = DTMF - controlled
Type of alarm button	* 8 9 *	Set to 0-1, end with #. 0 = NO (default). 1 = NC.
Change password	* 9 1 *	Set to four digits, end with #. Default = 0000.
Simulate an alarm event	* 9 4 *	Set to 1-5, end with #. Exiting programming mode and initiate an emergency call. Note! LMS phone number *16* must be programmed. 1 = Emergency call. 2 = Test alarm. 3 = Battery failure alarm. 4 = Microphone/loudspeaker failure alarm. 5 = Receipt on voice call.
End programming	* 0 0 * #	Exit programming
Restore factory settings	* 9 9 * 1 #	Sets the unit to factory default.



Hisselektronik

Address:
Antennvägen 10
135 48 Tyresö
SWEDEN

Phone: +46(0)8 447 79 32
Support: +46(0)8 448 73 90
Fax: +46(0)8 447 79 31

Webb: <http://www.safeline.se> E-mail: info@hisselektronik.se